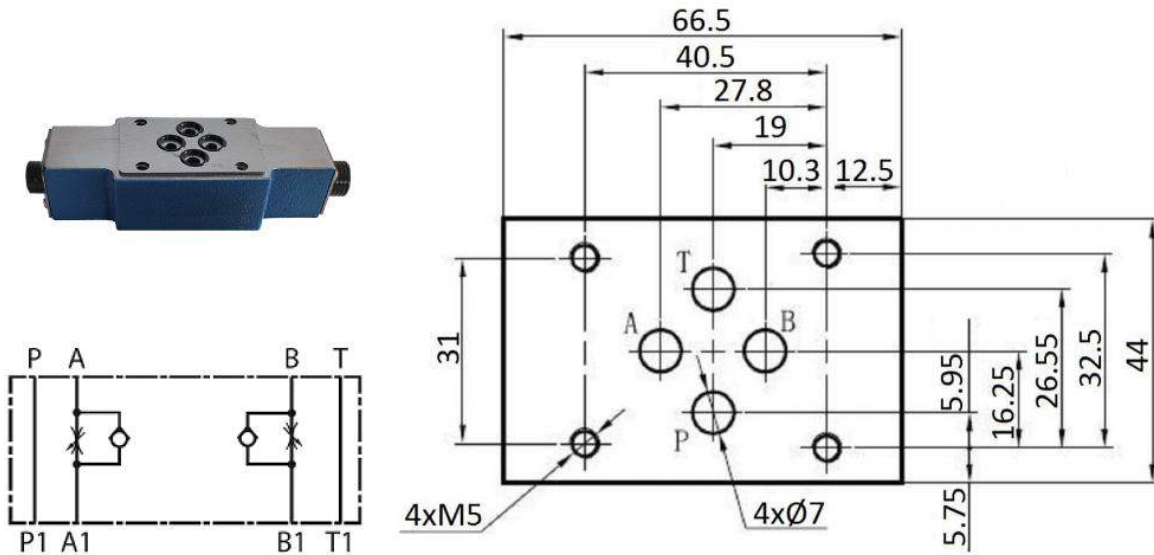


## 13112

## [mm]



|  |   |
|--|---|
| <b>Šifra / Code</b>                    | <b>13112</b>  |
| <b>Max. pretok / Max. flow</b> [l/min] | 80  |
| <b>Max. tlak / Max. pressure</b> [bar] | 315   |
| <b>Opomba / Detail</b>                 | Pretok se nadzira pri IZHODU /<br>Flow controlled in the EXIT |